

- 2) Assemble pieces M and N into rectangles on the underside of piece A as shown (Fig. 5). Note that the rear piece M is inset 1/4" from the back of A to allow clearance for piece Q. Drill four 1/8" holes in each M and three into each N, through M and N and slightly into A. Countersink these holes in M and N with a 3/8" drill bit to a depth of 1/4". Glue and screw these pieces to A with 1 1/4" #8 flathead screws. Now, drilling from the insides, drill three more evenly spaced holes in each piece N to attach pieces B and C. Countersink with a 3/8" drill bit on the inside of the squares. Screw the outside pieces N to pieces B with 1 1/4" #8 flathead screws, screwing through the holes you previously drilled in N. Glue and nail a piece E to the ends of two pieces K with 1 1/4" finishing nails. Pre-drill through each K with two 1/8" holes and countersink on the inside with 3/8" drill bit. Glue and screw KE to pieces B with glueable edge of piece E inset 1/4" from edges of pieces B and N. Pre-drill through pieces E inset 1/4" from edges of pieces B and N. Run a glue bead on the outside face of R, screw on piece D with 1 1/2" #8 flathead screws, screwing through the holes you just drilled (as shown Fig. 3). Note screws D and L are offset on the drawer (Fig. 10). Repeat for the other five RupD drawers and the two FdH-L drawers. Mount the drawers in the dresser frame following the instructions for your 1/2" side mount hardware. Edgeglue the project (illustration 1).
- 4) The drawers should be assembled in the following manner. Create a simple box by gluing and nailing together pieces J and R with 1 1/4" nails (Fig. 8). Glue the bottom edges and nail P to R and J with 3/4" nails. From the inside, pre-drill through R into D three evenly spaced holes, with a 1/8" drill bit, and countersink on the inside with a 3/8" drill bit, ensuring that the top edge of D is 1" above the top edge of R. Run a bead of glue on the outside face of R, screw on piece D with 1 1/2" #8 flathead screws, screwing through the holes you just drilled (as shown Fig. 3). Note screws D and L are offset on the drawer (Fig. 10). Repeat for the other five RupD drawers and the two FdH-L drawers. Mount the drawers in the dresser frame following the instructions for your 1/2" side mount hardware. Edgeglue the project (illustration 1).

On Materials:

Use wood to match the rest of your bedroom furniture. High quality material should be used as this project will last many years.

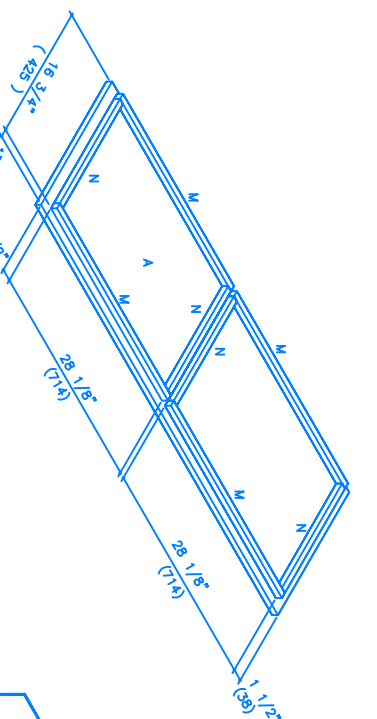
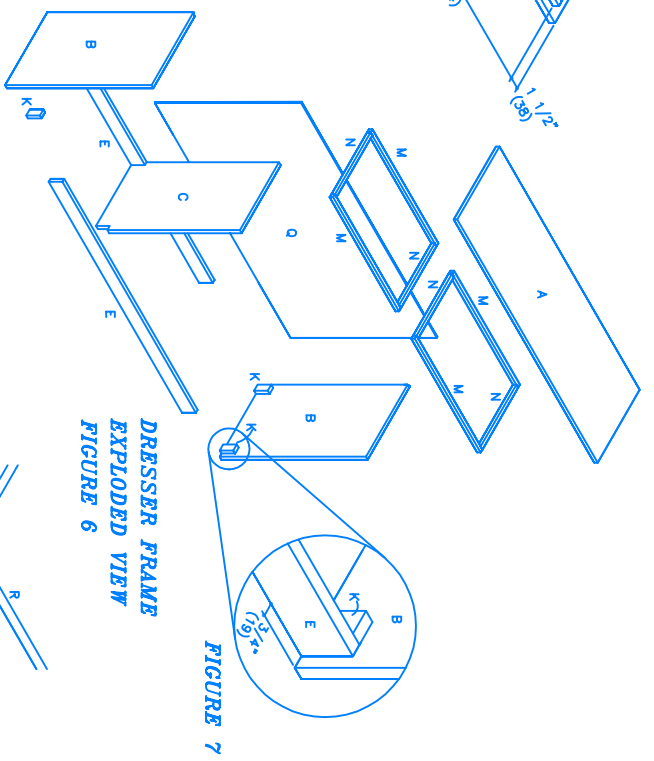
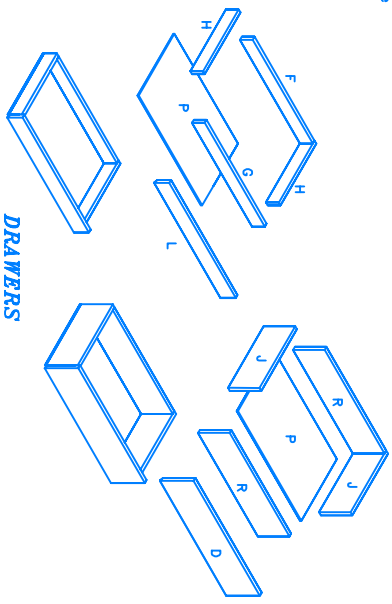


FIGURE 5



**DRESSER FRAME
EXPLODED VIEW
FIGURE 7**



**DRAWERS
FIGURE 8**



**FIGURE 9
(see also figure 3)**

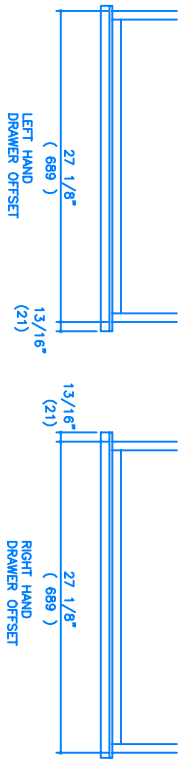
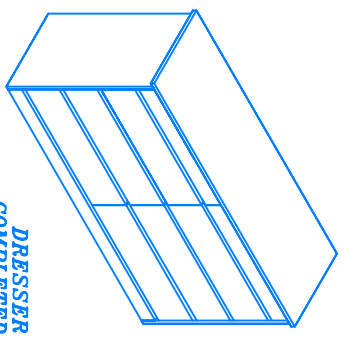
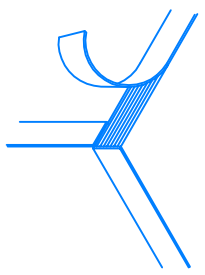


FIGURE 10



**DRESSER
COMPLETED PROJECT**



**EDGE TAPE
ILLUSTRATION 1**